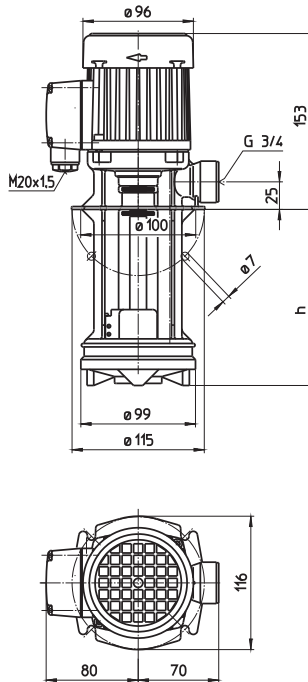


# Immersion Pumps in Plastics

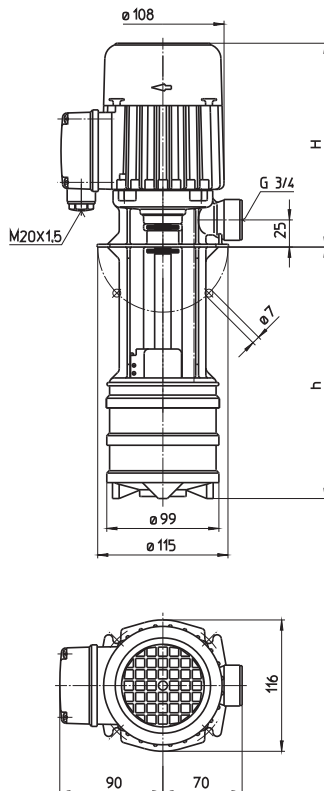
## KTF25...54, KTF81...83

### Semi-open impellers

#### KTF25, 40, 51



#### KTF52, 53, 54 KTF81, 82, 83



Type	Vol. del. at manom. del. head l/min / m	Height H mm	Depth of immersion h mm	Weight kg	Power kW	Voltage 3~ V	Fre- quen- cy Hz	Rated current A	Speed 1/min
KTF25/120	25/2	153	118	2.4	0.045	220-240	50	0.33	2800
	170		168	2.5		380-420	50	0.19	2800
	220		218	2.6		460	60	0.19	3300
	270		268	2.8					
KTF40/120	25/3	153	118	2.5	0.055	220-240	50	0.35	2800
	170		168	2.6		380-420	50	0.20	2800
	220		218	2.7		460	60	0.20	3300
	270		268	2.9					
KTF51/120	25/5	153	118	2.6	0.075	220-240	50	0.38	2700
	170		168	2.7		380-420	50	0.22	2700
	220		218	2.8		460	60	0.22	3200
	270		268	3.0					
KTF52/150	25/8	181	151	3.0	0.14	220-240	50	0.71	2700
	200		201	3.1		380-420	50	0.41	2700
	250		251	3.2		460	60	0.41	3200
	300		301	3.4					
KTF53/190	25/12	181	184	3.7	0.22	220-240	50	0.95	2700
	240		234	3.8		380-420	50	0.55	2700
	290		284	3.9		460	60	0.55	3200
	340		334	4.1					
KTF54/220	25/17	214	217	4.7	0.28	220-240	50	1.4	2700
	270		267	4.9		380-420	50	0.8	2700
	320		317	5.1		460	60	0.8	3200
KTF81/120	30/6	181	118	2.8	0.14	220-240	50	0.71	2700
	170		168	2.9		380-420	50	0.41	2700
	220		218	3.0		460	60	0.41	3200
	270		268	3.2					
KTF82/150	30/11	181	151	3.5	0.22	220-240	50	0.95	2700
	200		201	3.6		380-420	50	0.55	2700
	250		251	3.7		460	60	0.55	3200
	300		301	3.9					
KTF83/190	30/15	214	184	4.5	0.28	220-240	50	1.4	2700
	240		234	4.6		380-420	50	0.8	2700
	290		284	4.8		460	60	0.8	3200
	340		334	5.0					

### Immersion Pumps in Plastics

series KTF are suitable for various **water supply problems**.

These pumps are also suitable for a wide range of **chemical liquids**.

No shaft seal is required, due to the construction.

### Applications

Types of fluid

Industry water; warm, cold, with and without chemical admixtures, distilled, de-ionnized

Kinematic viscosity

...12 mm<sup>2</sup>/s (12 cSt)

Pumping temperature

-10...+60° C

### Construction

Pump body	PPS
Cover	PPS
Impellers	PPS
Shaft	1.4104

Optional:  
Shaft CrMo

Optional:  
These models are also available with **single phase motor**.

Noise level	
KTF25...KTF51	47 dBA
KTF52...KTF83	48 dBA

